

***TTP-225/ TTP-323***

**THERMAL TRANSFER / DIRECT THERMAL BAR CODE PRINTER**

**Parts List**

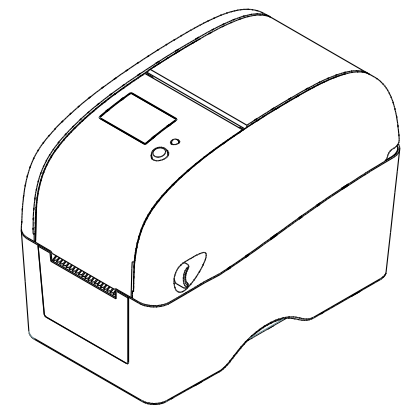
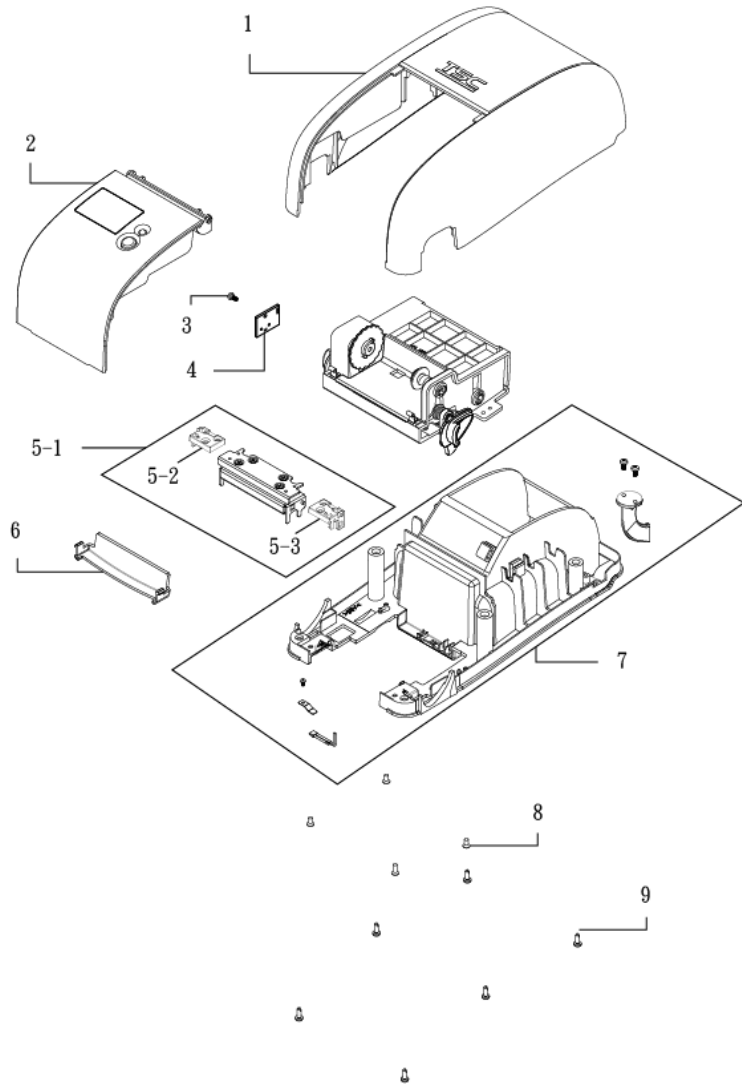


TABLE OF CONTENT

<b>Part List</b> .....	<b>2</b>
1 Main Printer Assemblies -1 .....	2
2 Main Printer Assemblies -2 .....	3
3 Top Cover Assembly .....	4
4 Lower Inner Cover Assembly .....	5
5 Main Board Assembly .....	6
6 Option and Accessories .....	7
<b>Update History</b> .....	<b>8</b>

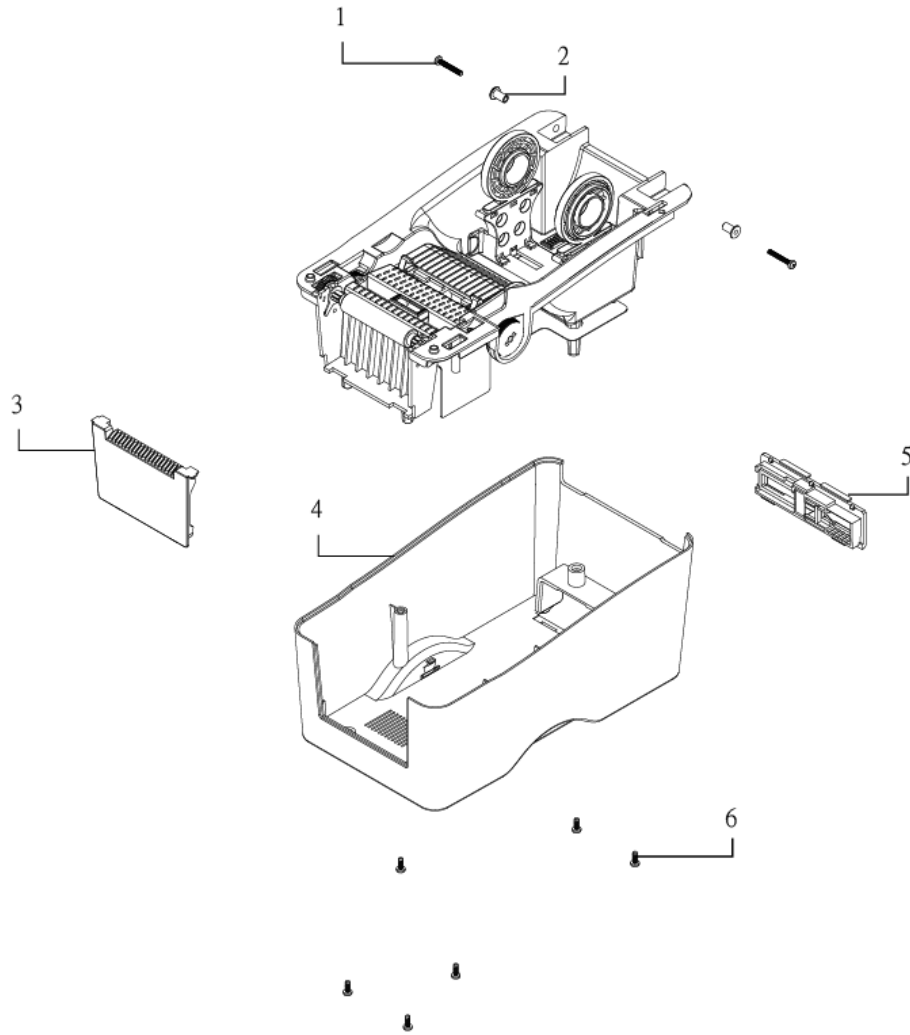
# Part List

## 1 Main Printer Assemblies -1



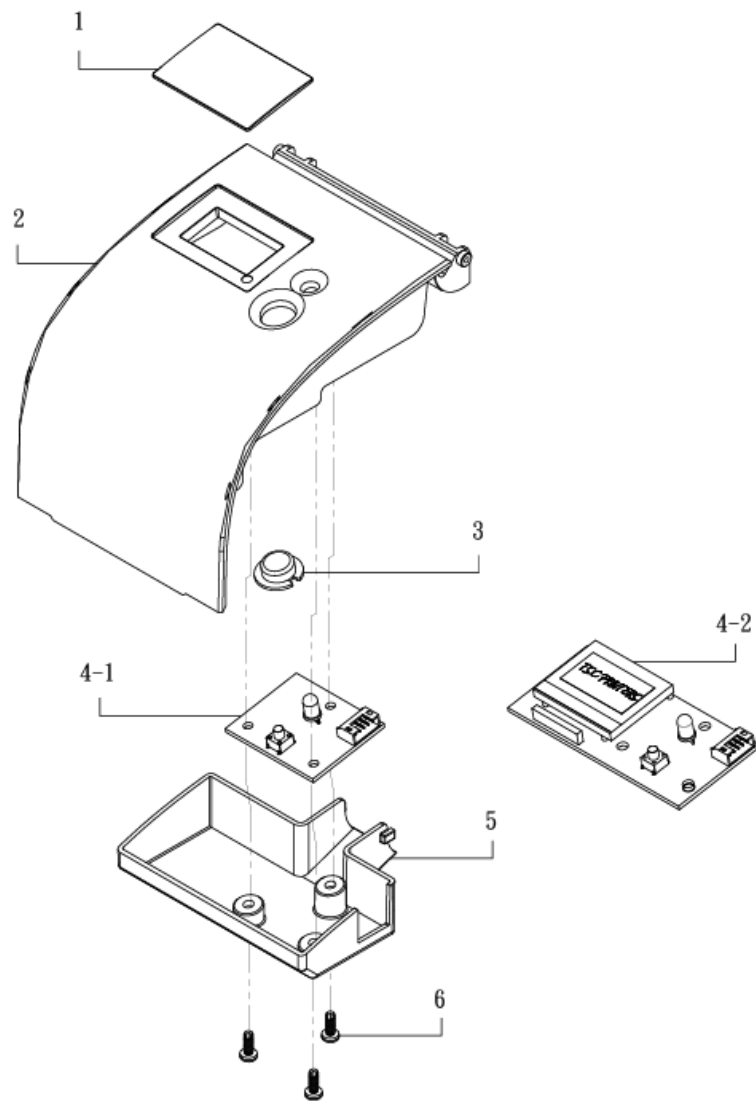
No.	Part No.	Description	Remark	Suggested Volume
1	98-0400010-00LF	Top cover assembly / Beige	1 set	
	98-0400010-01LF	Top cover assembly / Blue		
2	98-0400005-00LF	Ribbon access cover assembly	1 set	
3	37-1402005-34LF	Screw, TP2*5, MOQ 50 pcs	1 pc	
4	98-0400004-20LF	Ribbon encoder sensor assembly	1 set	
5-1	98-0400009-10LF	Print head module (For 203dpi model)	1 set	3%
	98-0400009-11LF	Print head module (For 300dpi model)		
5-2	30-0250045-22LF	TPH plastic bracket/ L, MOQ 10 pcs	1 pc	
5-3	30-0250046-12LF	TPH plastic bracket/ R, MOQ 10 pcs	1 pc	
6	30-0400015-00LF	Print head cable cover, MOQ 5 pcs	1 pc	
7	98-0400006-00LF	Top inner cover assembly/ Beige (Include top cover support and gap sensor/ Receiver)	1 pc	
	98-0400006-01LF	Top inner cover assembly/ Blue (Include top cover support and gap sensor/ Receiver)		
8	37-1403008-24LF	Screw, TP3*L8, MOQ 50 pcs	4 pcs	
9	37-1403008-34LF	Screw, TP3*8, MOQ 50 pcs	6 pcs	

## 2 Main Printer Assemblies -2



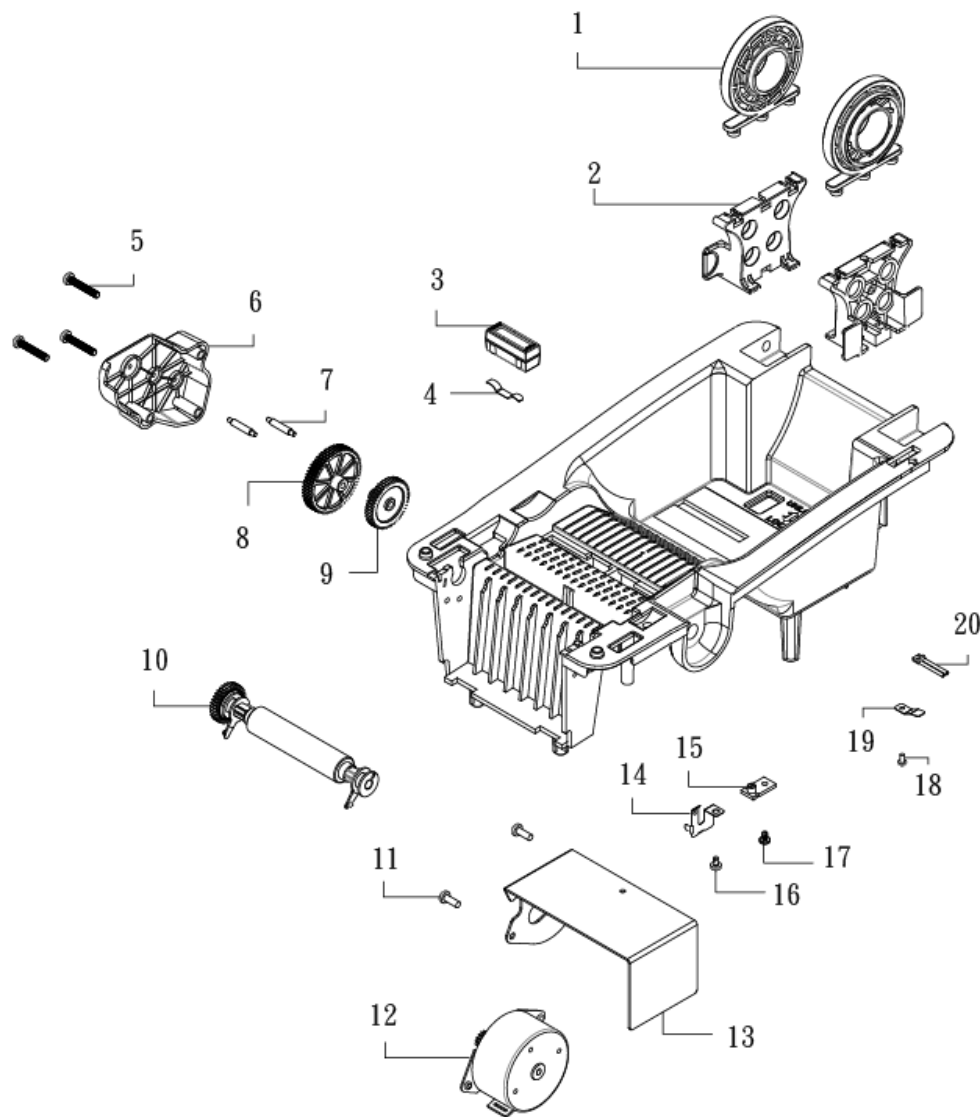
No.	Part No.	Description	Remark	Suggested Volume
1	37-1403018-34LF	Screw, TP3*18, MOQ 50 pcs	2 pcs	
2	32-0130007-00LF	Screw collar, MOQ 50 pcs	2 pcs	
3	30-0400026-00LF	Lower front cover / Beige	1 pc	
	30-0400026-01LF	Lower front cover / Blue		
4	98-0400014-00LF	Lower cover assembly / Beige	1 set	
	98-0400014-01LF	Lower cover assembly / Blue		
5	30-0400024-10LF	Interface cover / Beige (Fit for RS-232 interface)	1 pc	
	30-0400024-11LF	Interface cover / Blue (Fit for RS-232 interface)		
	30-0400025-10LF	Interface cover / Beige (Fit for Ethernet interface)	1 pc (Option)	
	30-0400025-11LF	Interface cover / Blue (Fit for Ethernet interface)		
6	37-1403008-34LF	Screw, TP3*8, MOQ 50 pcs	6 pcs	

### 3 Top Cover Assembly



No.	Part No.	Description	Remark	Suggested Volume
1	30-0400003-00LF	Black cover	1 pc	
2	30-0400002-10LF	Ribbon access cover	1 pc	
3	30-0400004-00LF	Feed button, MOQ 5 pcs	1 pc	
4-1	98-0390022-10LF	Feed button PCB assembly	1 set	
4-2	98-0400021-00LF	LCD & Feed button PCB assembly (Includes LCD cover)	1 set (Factory option)	
5	30-0400005-00LF	Feed button PCB cover	1 pc	1%
6	37-1403008-34LF	Screw, TP3*8, MOQ 50 pcs	3 pcs	

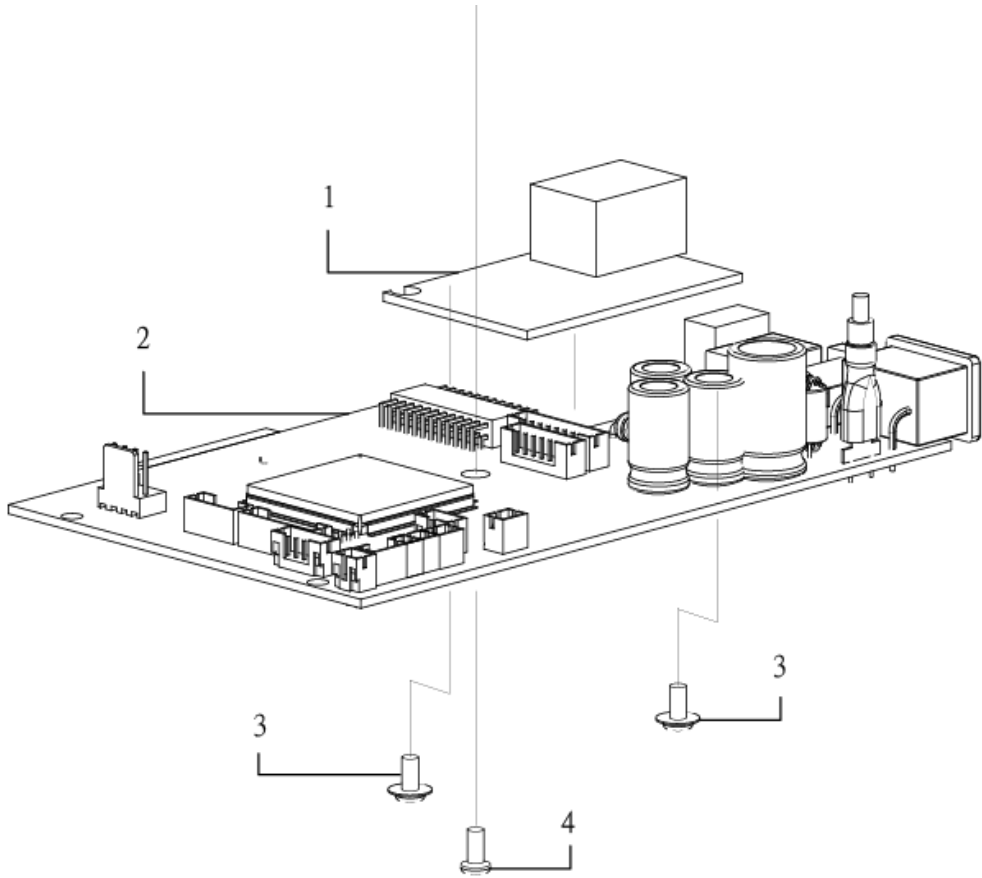
## 4 Lower Inner Cover Assembly



No.	Part No.	Description	Remark	Suggested Volume
1 & 2	98-0400034-00LF	Media holder assembly, MOQ 5 pcs	2 sets	
3	98-0400003-00LF	Media sensor assembly	1 set	3%
4	32-0500001-00LF	Media sensor fixing plate, MOQ 5 pcs	1 pc	
5	37-1503018-34LF	Screw, M3*18, MOQ 50 pcs	3 pcs	
6	30-0400014-00LF	Gear cover / Beige, MOQ 5 pcs	1 pc	
7	32-0330003-00LF	Gear shaft (203 dpi / 300 dpi), MOQ 6 pcs	2 pcs / 3 pcs	
8	30-0400033-00LF	Gear, 64T, MOQ 5 pcs	1 pc	
9	30-0330013-00LF	Gear, 48T/16T, MOQ 5 pcs	1 pc	
S/N	30-0330014-00LF	Gear, 30T/20T (For 300dpi model only), MOQ 5 pcs	1 pc	
10	98-0400013-00LF	Platen roller assembly (203 dpi)	1 set	2%
	98-0400013-01LF	Platen roller assembly (300 dpi)		
11	37-1503008-84LF	Screw, M3*8 , MOQ 50 pcs	2 pcs	
12	65-0390001-00LF	Stepping motor	1 pc	1%
13	32-0400005-00LF	Motor heat sink	1 pc	
14	32-0400004-00LF	Platen roller fixing plate, MOQ 5 pcs	1 pc	
15	98-0400022-00LF	Head open sensor assembly	1 set	
16	37-1202604-G4LF	Screw, TP 2.6*L4* $\phi$ 4.36 , MOQ 50 pcs	1 pc	
17	37-1402004-34LF	Screw, TP2*4, MOQ 50 pcs	1 pc	
18	37-1402004-34LF	Screw, TP2*4, MOQ 50 pcs	1 pc	
19	32-0500005-00LF	Gap sensor fixing plate, MOQ 5 pcs	2 pcs	
20	98-0400012-00LF	Gap sensor/ Transmitter	1 pc	3%

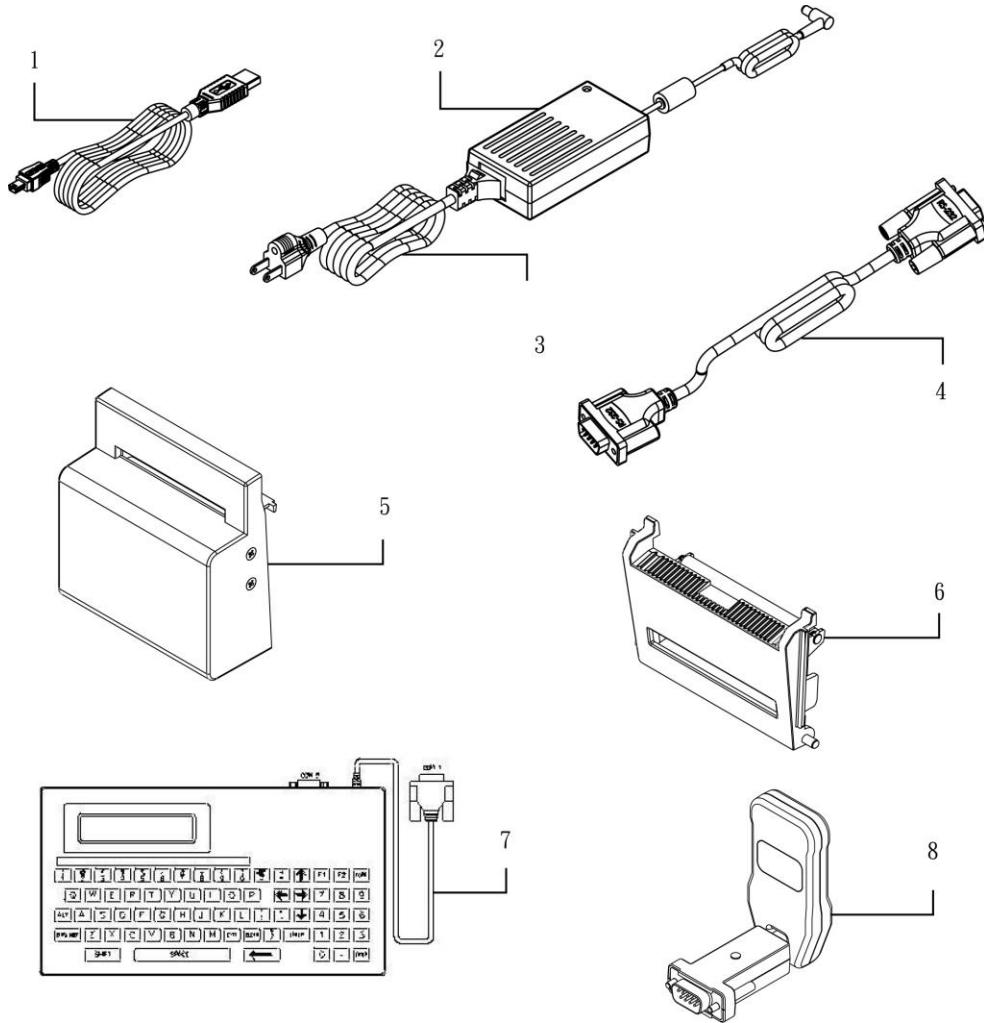
**N/S : Not shown**

# 5 Main Board Assembly



No.	Part No.	Description	Remark	Suggested Volume
1	98-0390034-10LF	RS-232 interface board	1 pc	1%
	98-0400026-00LF	RS-232 interface board assembly (Includes interface cover for RS-232)	1 set (Beige)	
	98-0400026-01LF	RS-232 interface board assembly (Includes interface cover for RS-232)	1 set (Blue)	
	98-0400019-20LF	Ethernet interface board assembly (Includes interface cover for Ethernet)	1 set/option (Beige)	
	98-0400019-21LF	<b>Work with -3xLF and later version main board assembly</b>	1 set/option (Blue)	
2	98-0400040-50LF	Main board assembly	1 set	3%
	98-0400040-51LF	Main board assembly with USB host interface	1 set/Factory option	
<b>Note:</b> If you use Ethernet interface board, please make sure supporting main board assembly.				
3	37-1403006-74LF	Screw, TP3x6, MOQ 50 pcs	2 pc	
4	37-1403006-34LF	Screw, TP3x6, MOQ 50 pcs	1 pc	

## 6 Option and Accessories



N/S : Not shown

No.	Part No.	Description	Remark	Suggested Volume
1	72-0010030-00LF	USB cable (1500 mm)	Standard	
2	98-0400042-01LF	Power supply/ EU	Standard	2%
3	72-0180100-00LF	Power cord/US	Standard	
	72-0180100-01LF	Power cord/EU 90D	Option	
	72-0180100-02LF	Power cord/UK	Option	
	72-0180100-03LF	Power cord/AU	Option	
	72-0180100-14LF	Power cord/JP	Option	
	72-0180100-05LF	Power cord/CH	Option	
	72-0010057-10LF	Power cord/CN	Option	
	72-0180100-0GLF	Power cord/KR	Option	
	72-0180100-0MLF	Power cord/TW	Option	
	72-0180100-0LLF	Power cord/TW (second source)	Option	
72-0180100-0PLF	Power cord/RU	Option		
4	72-0050002-00LF	RS-232 cable	Option	
5	98-0400017-00LF	Cutter module / Beige (full/ partial cut)	Option	
	98-0400017-01LF	Cutter module / Blue (full/ partial cut)	Option	
	98-0400027-00LF	Cutter module / Beige (full cut)	Option	
	98-0400027-01LF	Cutter module / Blue (full cut)	Option	
6	98-0400025-00LF	Peel-off module / Beige	Option	
	98-0400025-01LF	Peel-off module / Blue	Option	
7	99-117A001-00LF	KP-200 Plus, stand-alone keyboard unit	Option	
8	99-125A041-00LF	External Bluetooth module (for RS-232 interface)	Option	
N/S	98-0T80022-00LF	Cleaning pen (MOQ 12pcs/CTN)	Option	



## Update History

Date	Content	Editor
2010/12/20	*Add TPH plastic bracket/ L part number 30-0250045-22LF *Add TPH plastic bracket/ R part number 30-0250046-12LF	Camille
2011/1/6	Revise ribbon access cover P/N from 30-0400002-00LF to 30-0400002-10LF	Camille
2011/1/13	Revise screw P/N from 37-1403020-34LF/TP3*20 to 37-1403018-34LF/TP3*18 (Section 2)	Camille
2011/1/25	Modify TSC address	Camille
2011/4/1	* Modify power supply P/N from 62-0180002-00LF to 62-0180060-10LF * Modify power supply P/N from 62-0010021-00LF to 62-0010021-12LF	Camille
2012/12/12	* Replace bluetooth module by 99-125A041-00LF * Modify main board P/N from 98-0400040-00LF to 98-0400040-10LF Modify main board (with USB interface) P/N 98-0400041-00LF to 98-0400041-11LF	Tina
2012/12/19	Add full cutter module 98-0400027-00LF (beige) and 98-0400027-01LF (blue)	Tina
2013/5/21	Add RS-232 interface board assembly P/Ns	Camille
2013/11/21	Modify media holder P/N	Camille
2014/1/24	Modify description for cutter module	Camille
2014/3/24	Modify Peel-off module P/N from 98-0400015-00LF to 98-0400025-00LF, 98-0400015-10LF to 98-0400025-10LF	Samuel

2014/7/11	Modify RS-232 interface board P/N from 98-0390034-00LF to 98-0390034-10LF	Camille
2014/8/4	Modify ribbon encoder sensor assembly P/N from 98-0400004-00LF to 98-0400004-10LF	Camille
2014/9/5	* Add new Ethernet interface board assembly P/N * Add new main board assembly P/N	Camille
2014/12/31	Modify RS-232 cable P/N from 72-0050002-01LF to 72-0050002-00LF	Camille
2015/4/8	Modify interface cover P/N from 30-0400024-00/01LF; 30-0400025-00/01LF to 30-0400024-10/11LF; 30-0400025-10/11LF	Camille
2015/7/6	Modify ribbon encoder sensor assembly P/N from 98-0400004-10LF to 98-0400004-20LF	Camille
2015/8/5	* Modify power cord/JP P/N from 72-0180100-04LF to 72-0180100-14LF * Add power cord/KR P/N 72-018100-0GLF	Camille
2015/9/23	* Add new Ethernet interface board assembly P/N (-2Xlf) * Add new main board assembly P/N (-3Xlf)	Camille
2016/3/8	* Modify power supply P/N from 62-0180060-10LF to 62-0330060-00LF(CEC6) * Remove power supply P/N 62-0010021-12LF	Camille
2016/4/22	* Remove old Ethernet interface board assembly & old main board P/Ns * Modify main board P/N from 98-0400040-30LF/31LF to 98-0400040-40LF/41LF	Camille
2017/4/27	Modify main board P/N from 98-0400040-40LF/41LF to 98-0400040-50LF/51LF	Camille
2017/8/31	*Add Cleaning pen P/N	Kate

2017/11/13	Add Power cord/TW P/N Add Power cord/TW (second source) P/N	Kate
2017/12/27	Revise Power supply/ CEC6 (Kettle) P/N from 62-0330060-00LF to 62-0330060-10LF	Kate
2018/3/8	Revise Cleaning pen (MOQ 12PCS/CTN) P/N from 36-0000100-00LF to 98-0T80022-00LF	Kate
2018/4/20	Revise RS-232 interface board P/N from 98-0390034-10LF to 98-0390024-00LF	Kate
2018/5/7	Revise RS-232 interface board P/N from 98-0390024-00LF to 98-0390034-10LF	Kate
2018/7/6	Add Power cord/RU P/N	Kate
2018/9/18	Revise Print head module (For 203dpi model) P/N from 98-0400009-00LF to 98-0400009-10LF Revise Print head module (For 300dpi model) P/N from 98-0400009-01LF to 98-0400009-11LF	Kate
2018/12/6	Revise Power supply/ CEC6 (Kettle) P/N from 62-0330060-10LF to 62-0330060-30LF	Kate
2019/4/10	Revise Print head module (For 203dpi model) P/N from 98-0400009-10LF to 98-0400041-00LF Revise Print head module (For 300dpi model) P/N from 98-0400009-11LF to 98-0400041-01LF	Kate
2019/5/28	Revise Print head module (For 203dpi model) P/N from 98-0400041-00LF to 98-0400009-10LF Revise Print head module (For 300dpi model) P/N from 98-0400041-01LF to 98-0400009-11LF	Kate
2019/6/18	Revise Power supply/ CEC6 (Kettle) P/N from 62-0330060-30LF to 62-0330060-40LF Delete KU-007 Plus, programmable keyboard unit	Kate

2019/9/26	Revise Power supply/ CEC6 (Kettle) P/N from 62-0330060-40LF to 62-0330060-50LF	Kate
2020/11/5	Modify Power supply/ CEC6 (Kettle) P/N from 62-0330060-50LF to 62-0330060- 80LF.	Linda
2021/1/14	Modify Power supply/ CEC6 (Kettle) P/N from 62-0330060-80LF to 98-0400042-01LF, Power supply/ EU	Linda



TSC Auto ID Technology Co., Ltd.

Corporate Headquarters

9F., No.95, Minquan Rd., Xindian Dist.,  
New Taipei City 23141, Taiwan (R.O.C.)

TEL: +886-2-2218-6789

FAX: +886-2-2218-5678

Web site: [www.tscprinters.com](http://www.tscprinters.com)

E-mail: [printer\\_sales@tscprinters.com](mailto:printer_sales@tscprinters.com)  
[tech\\_support@tscprinters.com](mailto:tech_support@tscprinters.com)

Li Ze Plant

No.35, Sec. 2, Ligong 1st Rd., Wujie Township,  
Yilan County 26841, Taiwan (R.O.C.)

TEL: +886-3-990-6677

FAX: +886-3-990-5577