

Mobile Barcode Printer

RE310 Series

Direct Thermal

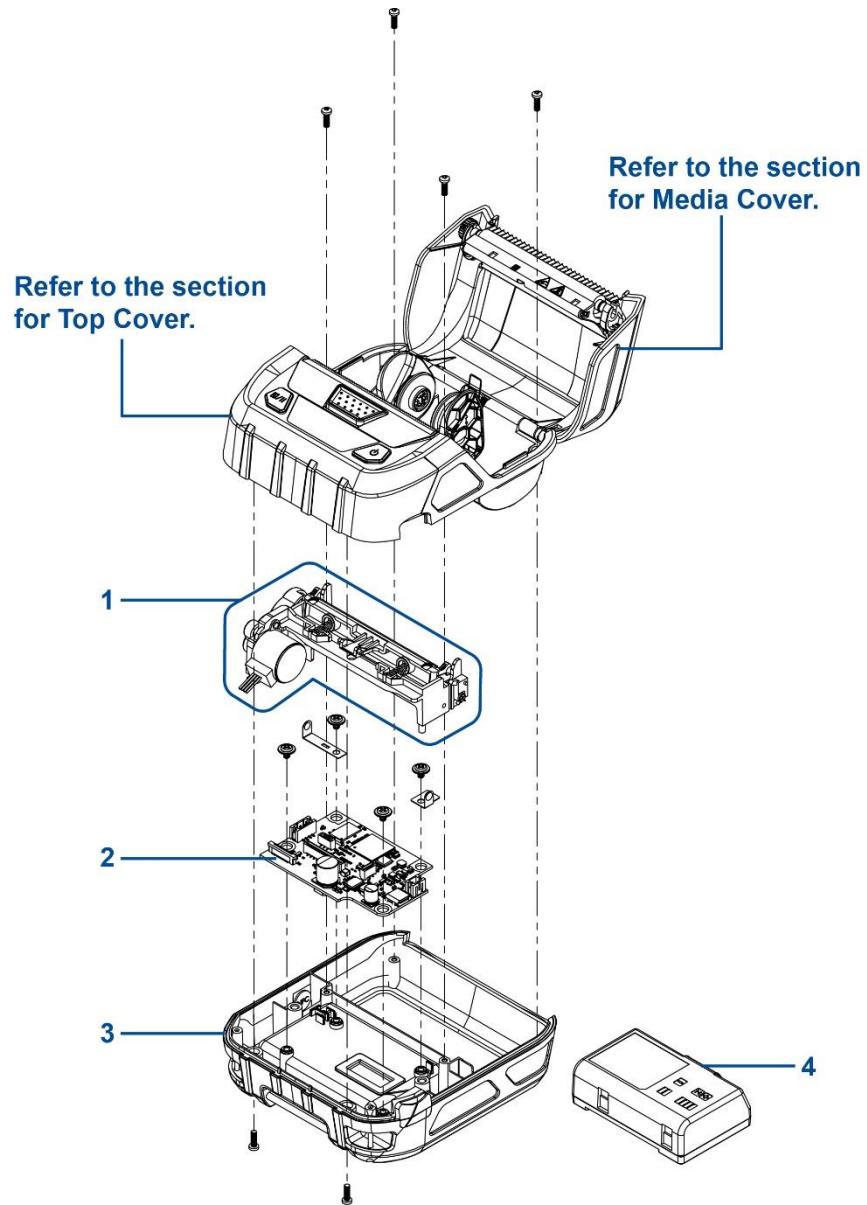


Parts List

Contents

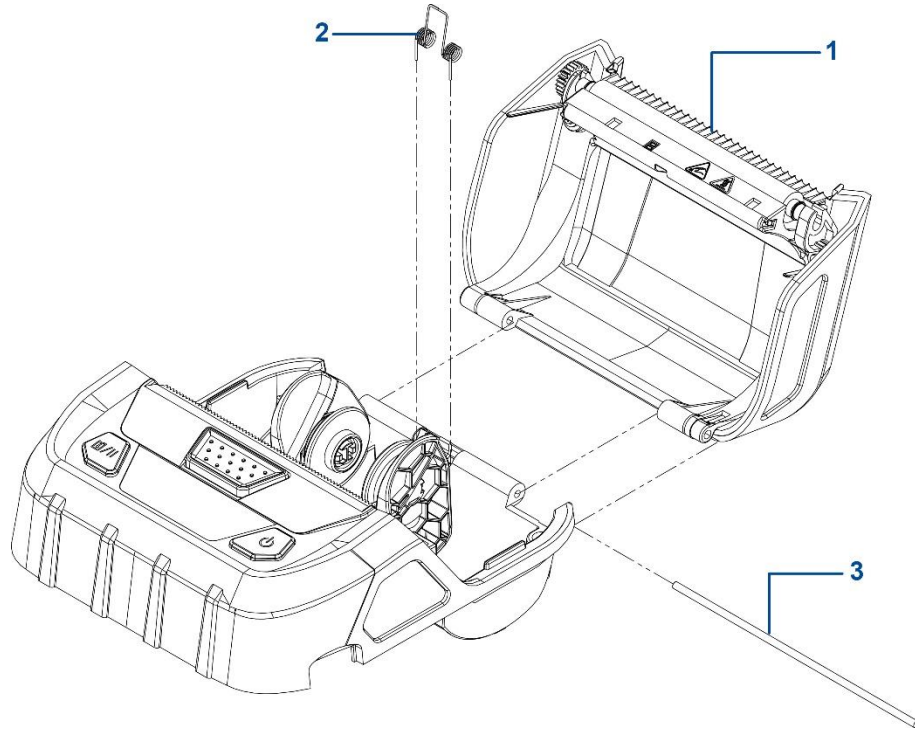
- 1 Main Printer Assemblies..... 1
- 2 Media Cover Assembly 2
- 3 Top Cover Assembly 3
- 4 Accessories & Options 4
- Revision History 6

1 Main Printer Assemblies



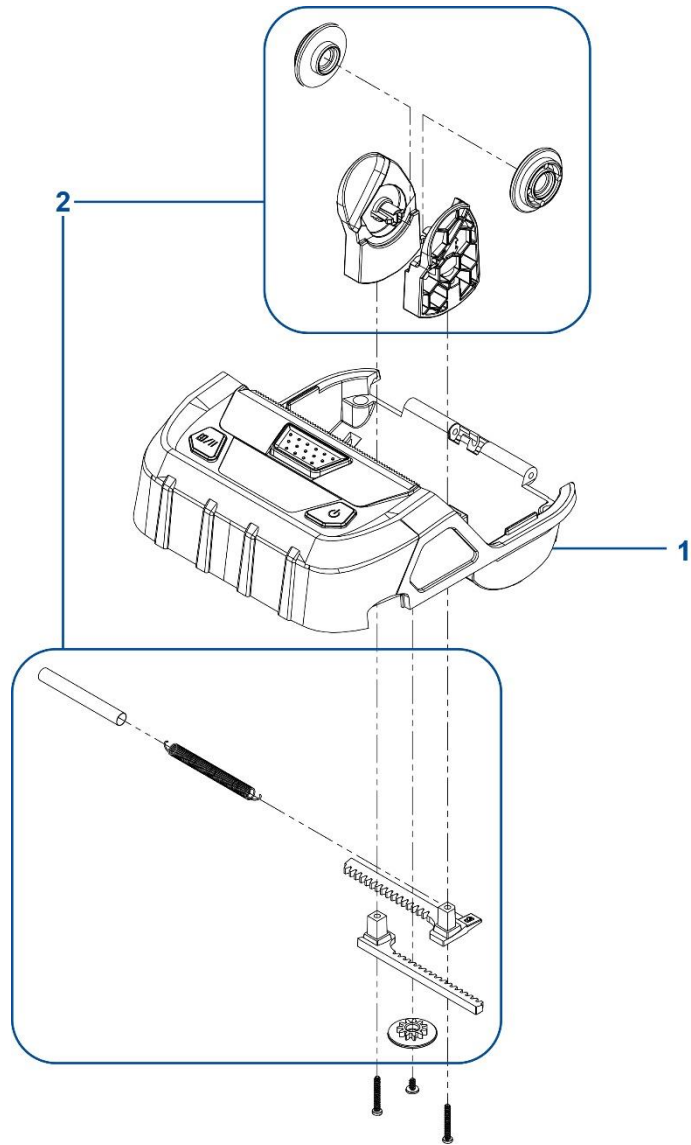
No.	Part No.	Description	Suggested Attach Rate
1	PH-RE310-0001	PRNTHD ASSY (1SET/BAG)	5%
2	SP-RE310-0001	MAIN BOARD ASSY (1SET/BAG)	5%
3	SP-RE310-0002	LOWER COVER ASSY (1SET/BAG)	1%
4	OP-P-RB-001-0001	TDM-BAT30, REGULAR BATTERY, A30L/A30R/TDM-30/RE310 (1SET/BOX)	3%

2 Media Cover Assembly



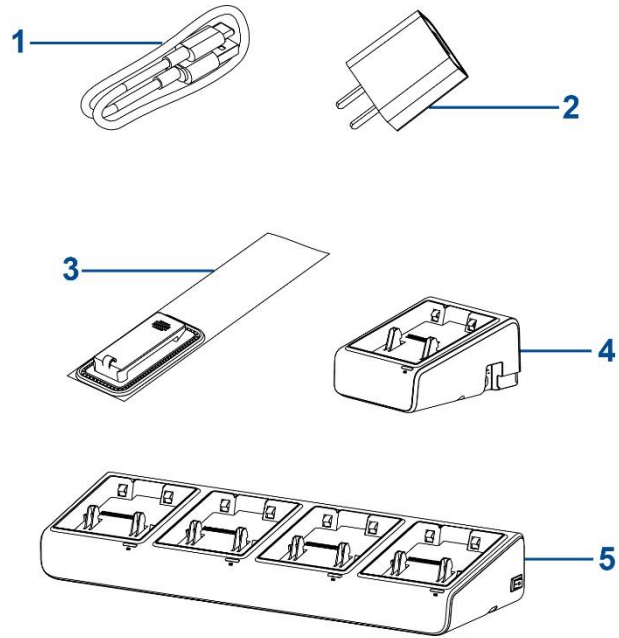
No.	Part No.	Description	Suggested Attach Rate
1	SP-RE310-0003	MEDIA COVER ASSY, FOR BLUETOOTH MODEL (1SET/BAG)	3%
	SP-RE310-0004	MEDIA COVER ASSY, FOR WI-FI MODEL (1SET/BAG)	3%
2	SP-RE310-0005	MEDIA COVER SPRING (1PC/BAG)	3%
3	SP-RE310-0006	MEDIA COVER SHAFT (1PC/BAG)	3%

3 Top Cover Assembly



No.	Part No.	Description	Suggested Attach Rate
1	SP-RE310-0007	TOP COVER ASSY, FOR BLUETOOTH MODEL (1SET/BAG)	3%
	SP-RE310-0008	TOP COVER ASSY, FOR WI-FI MODEL (1SET/BAG)	3%
2	SP-RE310-0009	MEDIA HOLDER ASSY (1SET/BAG)	5%

4 Accessories & Options



No.	Part No.	Description	Suggested Attach Rate	
1	SP-COM-0029	TYPE C USB CABLE, 1M, RE310 (1PC/BAG)		
2	SP-COM-1006	USB POWER ADAPTOR, 5V/2A, RE300/RE310, US (1PC/BAG)		
	SP-COM-2006	USB POWER ADAPTOR, 5V/2A, RE300/RE310, EU (1PC/BAG)		
	SP-COM-3006	USB POWER ADAPTOR, 5V/2A, RE300/RE310, UK (1PC/BAG)		
	SP-COM-4006	USB POWER ADAPTOR, 5V/2A, RE300/RE310, AU (1PC/BAG)		
	SP-COM-A006	USB POWER ADAPTOR, 5V/2A, RE300/RE310, CN (1PC/BAG)		
	SP-COM-B006	USB POWER ADAPTOR, 5V/2A, RE300/RE310 KR (1PC/BAG)		
	SP-COM-C006	USB POWER ADAPTOR, 5V/2A, RE300/RE310, IN (1PC/BAG)		
	SP-COM-D006	USB POWER ADAPTOR, 5V/2A, RE300/RE310, TH (1PC/BAG)		
	SP-COM-H006	USB POWER ADAPTOR, 5V/2A, RE300/RE310, TW (1PC/BAG)		
	SP-COM-K001	USB POWER ADAPTOR, 5V/2A, RE300/RE310, AP/EU (1PC/BAG)		
	SP-COM-L001	USB POWER ADAPTOR, 5V/2A, RE300/RE310, AP/UK (1PC/BAG)		
	3	OP-P-BCP-002-0001	P-BCP-002, BELT CLIP, A30L/A30R/TDM-30/RE310 (1PC/BAG)	

No.	Part No.	Description	Suggested Attach Rate
4	OP-P-BC1-001-1001	P-BC1-001 (1-SLOT BATTERY CHARGER STATION, US)	
	OP-P-BC1-001-4001	P-BC1-001 (1-SLOT BATTERY CHARGER STATION, AU)	
	OP-P-BC1-001-B001	P-BC1-001 (1-SLOT BATTERY CHARGER STATION, KR)	
	OP-P-BC1-001-C001	P-BC1-001 (1-SLOT BATTERY CHARGER STATION, IN)	
	OP-P-BC1-001-H001	P-BC1-001 (1-SLOT BATTERY CHARGER STATION, TW)	
	OP-P-BC1-001-K001	P-BC1-001 (1-SLOT BATTERY CHARGER STATION, EU (APAC))	
	OP-P-BC1-001-L001	P-BC1-001 (1-SLOT BATTERY CHARGER STATION, UK (APAC))	
	OP-P-BC1-001-M001	P-BC1-001 (1-SLOT BATTERY CHARGER STATION, UK (MY))	
5	OP-P-BC4-001-1001	P-BC4-001 (4-SLOT BATTERY CHARGER STATION, US)	
	OP-P-BC4-001-B001	P-BC4-001 (4-SLOT BATTERY CHARGER STATION, KR)	
	OP-P-BC4-001-C001	P-BC4-001 (4-SLOT BATTERY CHARGER STATION, IN)	
	OP-P-BC4-001-H001	P-BC4-001 (4-SLOT BATTERY CHARGER STATION, TW)	
	OP-P-BC4-001-K001	P-BC4-001 (4-SLOT BATTERY CHARGER STATION, EU (APAC))	
	OP-P-BC4-001-L001	P-BC4-001 (4-SLOT BATTERY CHARGER STATION, UK (APAC))	
	OP-P-BC4-001-M001	P-BC4-001 (4-SLOT BATTERY CHARGER STATION, UK (MY))	

No.	Part No.	Description	Suggested Attach Rate
N/S	OP-P-EC-008-0001	P-EC-008, PROTECTIVE CASE WITH SHOULDER STRAP, RE310 (1PC/BAG)	
N/S	OP-P-BEM-001-0001	P-BEM-001, 12V-48V DC-DC POWER ADAPTOR, A30L/A30R/RE310 (1SET/BOX)	
N/S	OP-P-BEM-003-0001	P-BEM-003, 12V-48V WIRE TO WIRE BATTERY ELIMINATOR WITH POWER SUPPLY, A30L/A30R/TDM-30/RE310 (1SET/BOX)	
N/S	OP-P-BEM-006-0001	P-BEM-006, WIRE TO WIRE DUMMY BATTERY PACK, A30L/A30R/TDM-30/RE310 (1SET/BOX)	

N/S: Not shown in the image.

Revision History

Date	Description	Editor
2024/05/16		Peter Yao



www.tscprinters.com