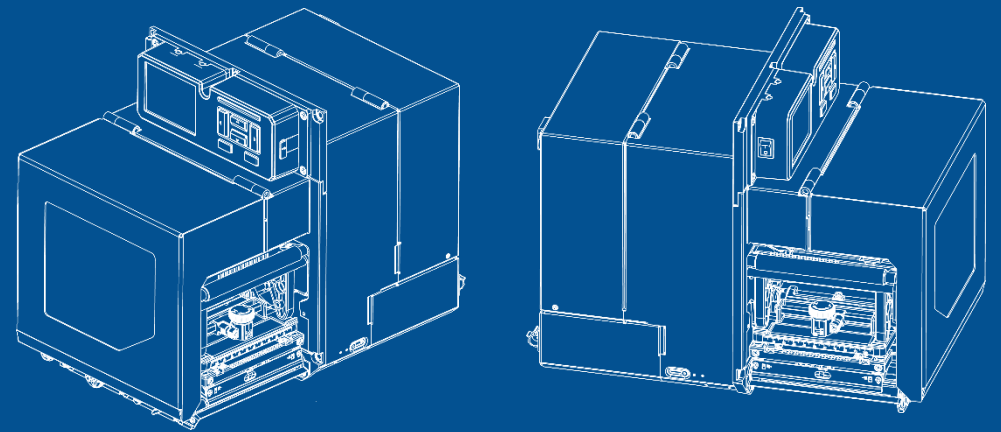


# PEX-2000 4 inch Series

■ Thermal Transfer ■ Direct Thermal  
Industrial Barcode Printers



## Series Lists:

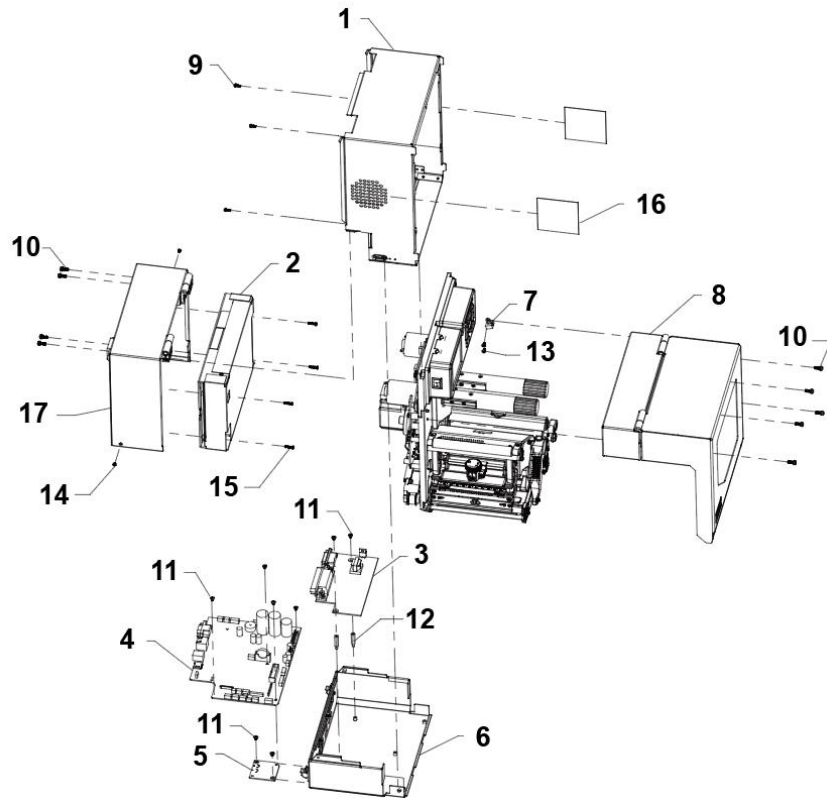
PEX-2240L/ 2240R  
PEX-2340L/ 2340R  
PEX-2640L/ 2640R

# Parts List

# Table of Contents

1. Print Engine Covers & Boards .....	1
2. LCD panel ASS'Y .....	2
3. Media Side Assemblies-1 .....	3
4. Media Side Assemblies-2 .....	4
5. Electronics Side Assemblies .....	5
6. Accessories & Options .....	6
Revision History .....	8

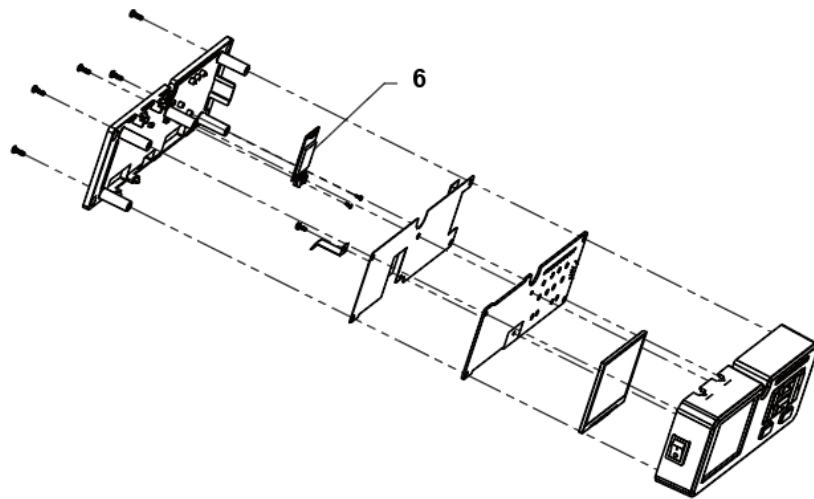
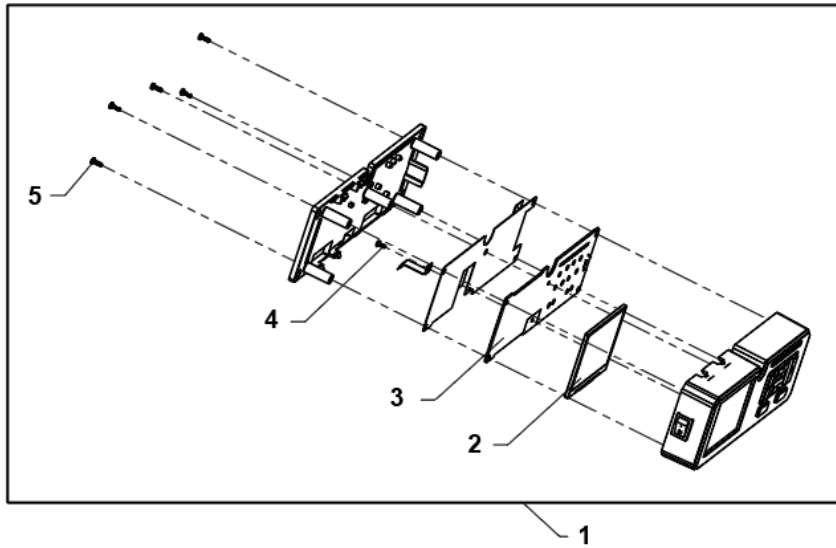
# 1. Print Engine Covers & Boards



NO.	PART NO.	DESCRIPTION	SUGGEST ATTACH RATE
1	SP-PEX-2000-0001	MAIN FRAME ASSY (1SET/BOX)	1%
2	SP-PEX-2000-0075	POWER SUPPLY UNIT (1SET/BOX)	1%
3	SP-PEX-1001-0040	GPIO + PARALLEL BOARD, DB15 (1SET/BOX)	3%
4	SP-PEX-2000-0004	MAIN BOARD ASSY (1SET/BOX)	5%
5	SP-PEX-2000-0005	USB HUB BOARD ASSY (1SET/BOX)	1%
6	SP-PEX-2000-0006	LOWER COVER (1SET/BOX)	1%
7	SP-PEX-2000-0007	COVER OPEN SENSOR ASSY (1SET/BAG)	1%
8	SP-PEX-2000-0003	MEDIA COVER ASSY RH -4INCH (1SET/BOX)	1%
	SP-PEX-2000-0053	MEDIA COVER ASSY LH -4INCH (1SET/BOX)	1%
9*	--	SPRING WASHER SCREW-M3xL8	
10*	--	MACHINE SCREW, M4xL10	
11*	--	MACHINE SCREW, M3xL4	
12*	--	COPPER PILLAR	
13*	--	MACHINE SCREW, M3xL6, PAN, NI	
14*	--	MACHINE SCREW, M3xL6, FLAT, NI	
15*	--	MACHINE SCREW-M3xL12/ ROUND/ NI	
16	SP-PEX-2000-0073	NON-WOVEN FABRIC (10PCS/BAG)	
17	SP-PEX-2000-0074	UPPER COVER (1SET/BOX)	

\* Available only in Hardware Field Kit (P/N: SP-PEX2000-0044)

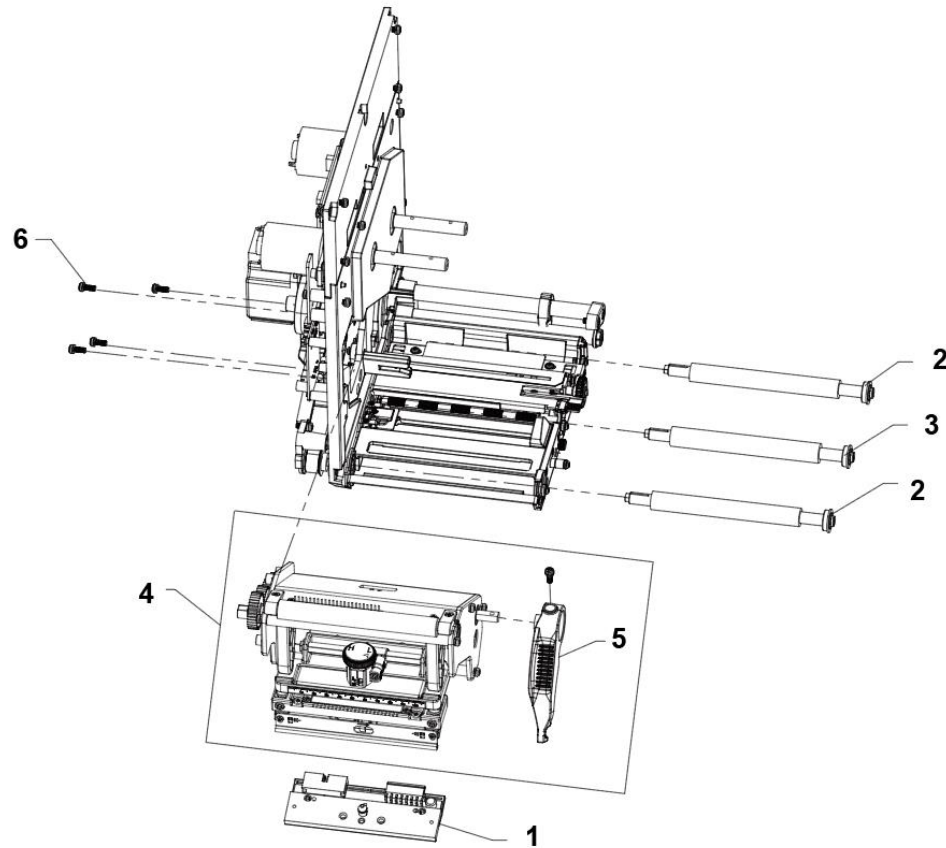
## 2. LCD panel ASS'Y



NO.	PART NO.	DESCRIPTION	SUGGEST ATTACH RATE
1	SP-PEX-2000-0010	LCD PANEL ASSY (1SET/BOX)	3%
2	SP-PEX-2000-0011	LCD PANEL MODULE (1SET/BOX)	3%
3	SP-PEX-2000-0012	PANEL CONTROL BOARD (1SET/BOX)	3%
4*	--	SELF-TAPPING SCREW, TP3x8	
5*	--	SELF-TAPPING SCREW, TP3x6	
6	SP-PEX-1001-0013	BLUE TOOTH MODULE/ MFi (1SET/BOX)	3%

\* Available only in Hardware Field Kit (P/N: SP-PEX2000-0044)

### 3. Media Side Assemblies-1

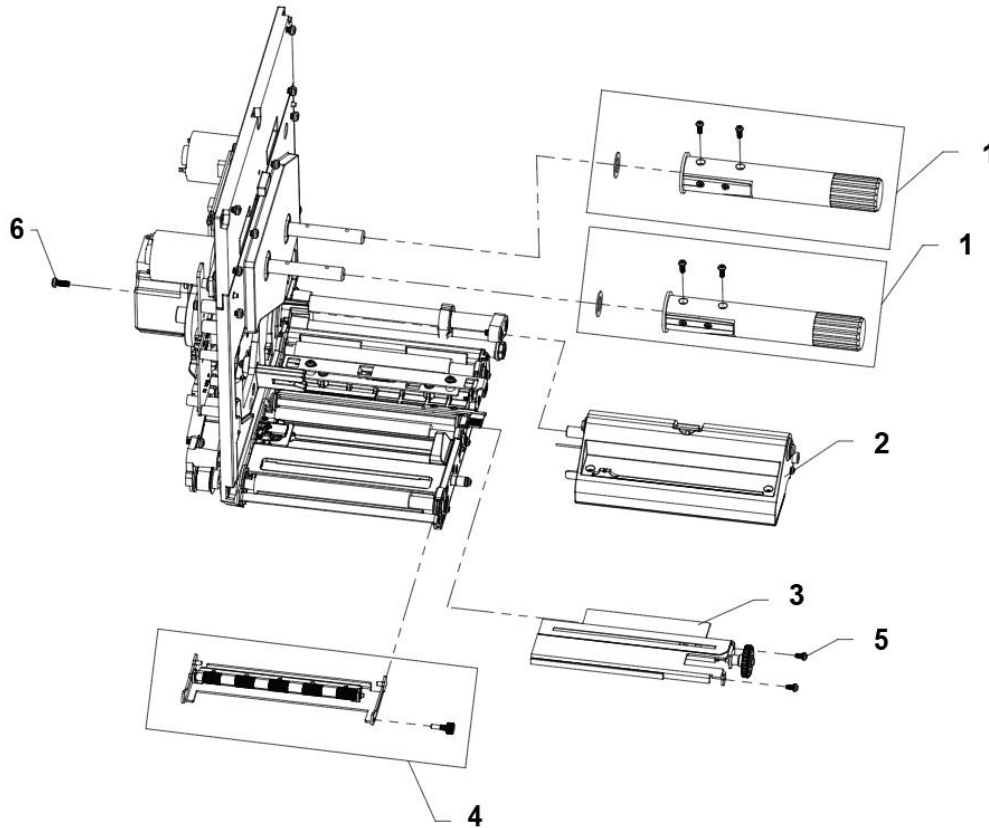


NO.	PART NO.	DESCRIPTION	SUGGEST ATTACH RATE
1	PH-PEX-2240-0001	PRNTHD ASSY, PEX-2240, 203DPI (1SET/BOX)	5%
	PH-PEX-2340-0001	PRNTHD ASSY, PEX-2340, 300DPI (1SET/BOX)	5%
	PH-PEX-2640-0001	PRNTHD ASSY, PEX-2640, 600DPI (1SET/BOX)	5%
N/S	SP-PEX-2000-0054	TPH HARNESS -4INCH (1PC/BAG)	3%
2	SP-PEX-2000-0055	PLATEN MODULE ASSY -4INCH (1SET/BAG)	5%
3	SP-PEX-2000-0056	PEEL ROLLER MODULE ASSY -4INCH (1SET/BAG)	3%
4	SP-PEX-2000-0057	UPPER PRINT MODULE, LH -4INCH (1SET/BOX)	3%
	SP-PEX-2000-0058	UPPER PRINT MODULE, RH -4INCH (1SET/BOX)	3%
5	SP-PEX-2000-0018	PRINT HEAD RELEASE LEVER, LH (1PC/BOX)	5%
	SP-PEX-2000-0019	PRINT HEAD RELEASE LEVER, RH (1PC/BOX)	5%
6*	--	MACHINE SCREW, M4xL10	

\* Available only in Hardware Field Kit (P/N: SP-PEX2000-0044)

N/S: Not shown in the image.

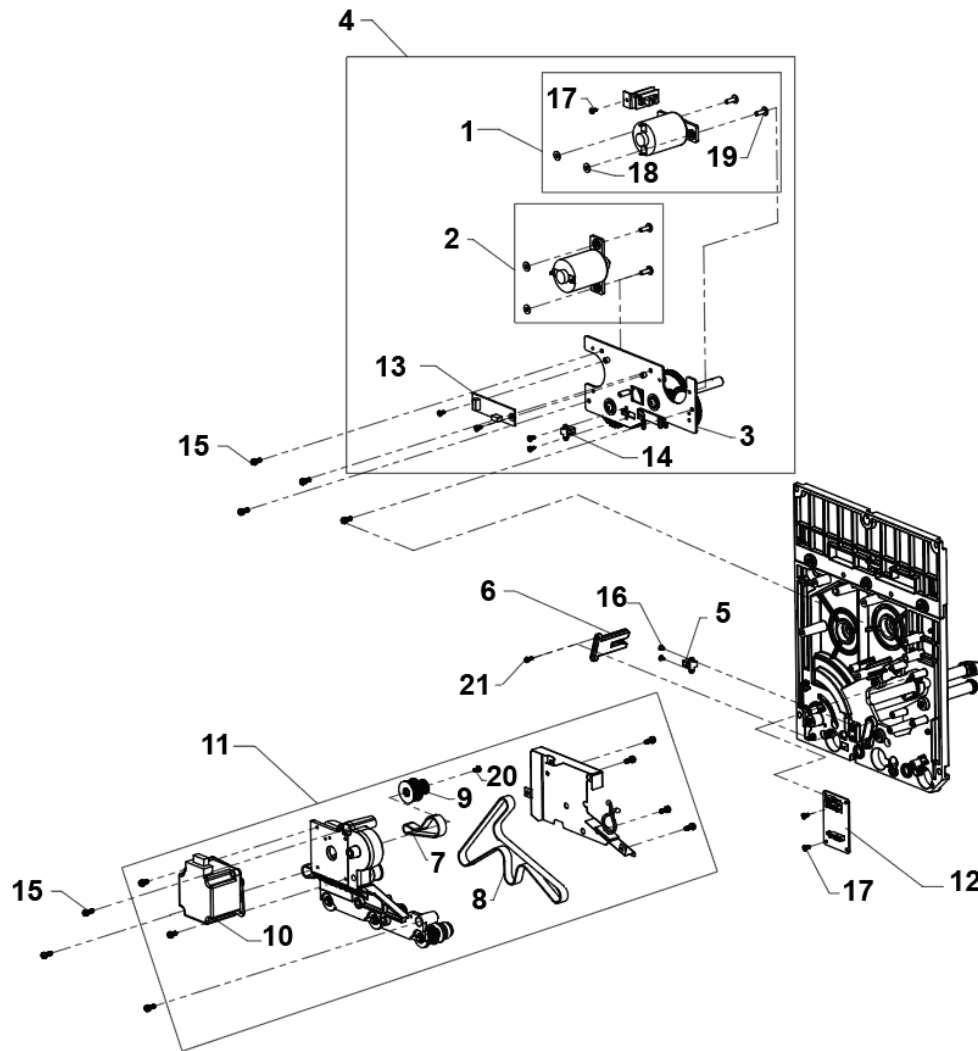
## 4. Media Side Assemblies-2



NO.	PART NO.	DESCRIPTION	SUGGEST ATTACH RATE
1	SP-PEX-2000-0059	RIBBON SPINDLE ASSY -4INCH (1SET/BOX)	3%
2	SP-PEX-2000-0060	REAR LABEL HOLDER ASSY, LH -4INCH (1SET/BOX)	3%
	SP-PEX-2000-0061	REAR LABEL HOLDER ASSY, RH -4INCH (1SET/BOX)	3%
3	SP-PEX-2000-0062	MEDIA SENSOR ASSY, LH -4INCH (1SET/BOX)	3%
	SP-PEX-2000-0063	MEDIA SENSOR ASSY, RH -4INCH (1SET/BOX)	3%
4	SP-PEX-2000-0064	PEEL-OFF ASSY, LH -4INCH (1SET/BOX)	3%
	SP-PEX-2000-0065	PEEL-OFF ASSY, RH -4INCH (1SET/BOX)	3%
5*	--	MACHINE SCREW, M3x6	
6*	--	MACHINE SCREW, M4xL10	

\* Available only in Hardware Field Kit (P/N: SP-PEX2000-0044)

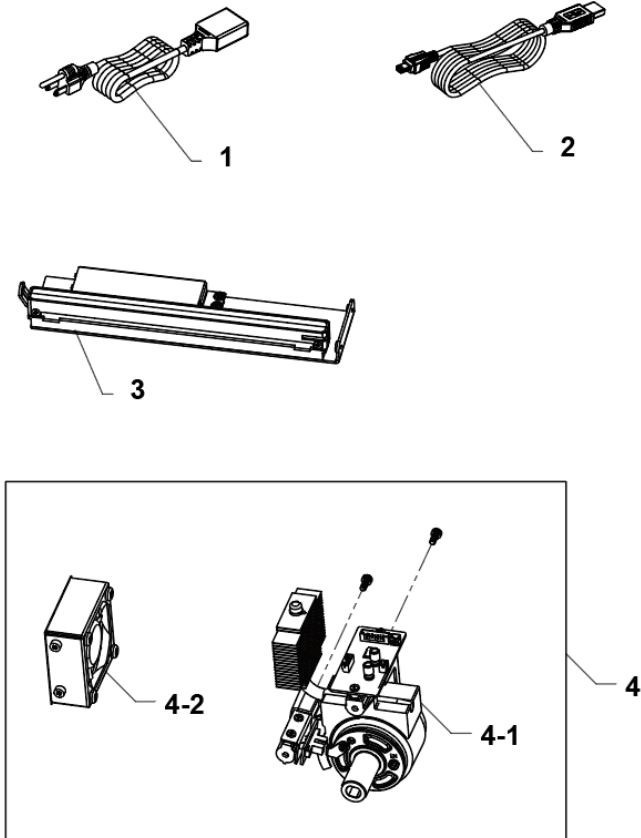
## 5. Electronics Side Assemblies



NO.	PART NO.	DESCRIPTION	SUGGEST ATTACH RATE
1	SP-PEX-2000-0027	DC MOTOR MODULE ASSY (WITH REWINDER SENSOR BOARD) (1SET/BOX)	3%
2	SP-PEX-2000-0028	DC MOTOR MODULE ASSY (1SET/BOX)	3%
3	SP-PEX-2000-0029	GEAR ASSY, LH (1SET/BOX)	3%
	SP-PEX-2000-0030	GEAR ASSY, RH (1SET/BOX)	3%
4	SP-PEX-2000-0031	RIBBON BASE MODULE ASSY, LH (1SET/BOX)	3%
	SP-PEX-2000-0032	RIBBON BASE MODULE ASSY, RH (1SET/BOX)	5%
5	SP-PEX-2000-0033	ROLLER OPEN SENSOR (1PC/BOX)	5%
6	SP-PEX-2000-0034	RIBBON END SENSOR ASSY (1SET/BOX)	3%
7	SP-PEX-2000-0035	BELT, S2M W10xL148mm (1PC/BOX)	3%
8	SP-PEX-2000-0036	BELT, S2M W10xL544mm (1PC/BOX)	3%
9	SP-PEX-2000-0037	PULLY ASS'Y (1PC/BOX)	3%
10	SP-PEX-2000-0038	STEPPING MOTOR (1SET/BOX)	3%
11	SP-PEX-2000-0039	STEPPING MOTOR MEDIA DRIVE ASSY, LH (1SET/BOX)	3%
	SP-PEX-2000-0040	STEPPING MOTOR MEDIA DRIVE ASSY, RH (1SET/BOX)	3%
12	SP-PEX-2000-0041	SENSOR CONTROL BOARD (1SET/BOX)	3%
13	SP-PEX-2000-0042	DC MOTOR DRIVER IC BOARD (1SET/BOX)	3%
14	SP-PEX-2000-0043	RIBBON ENCODER SENSOR (1SET/BOX)	3%
15*	--	MACHINE SCREW-M4xL10	
16*	--	MACHINE SCREW-M3xL4	
17*	--	MACHINE SCREW-M3xL6	
18*	--	WASHER-ID4.2xOD10xT0.5mm	
19*	--	MACHINE SCREW-M4xL12	
20*	--	MACHINE SCREW-M3xL6/ ROUND-WASHER/ NI	
21*	--	MACHINE SCREW-M3xL8/ PAN/ NI	

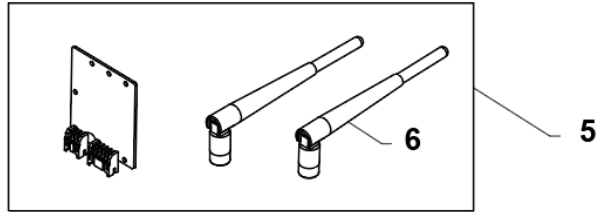
\* Available only in Hardware Field Kit (P/N: SP-PEX2000-0044)

## 6. Accessories & Options



NO.	PART NO.	DESCRIPTION	SUGGEST ATTACH RATE
1	SP-COM-1001	POWER CORD, US (1PC/BOX)	
	SP-COM-2001	POWER CORD, EU 90 DEGREE (1PC/BOX)	
	SP-COM-3001	POWER CORD, UK (1PC/BOX)	
	SP-COM-4001	POWER CORD, AU (1PC/BOX)	
	SP-COM-5001	POWER CORD, JP (1PC/BOX)	
	SP-COM-6001	POWER CORD, CH (1PC/BOX)	
	SP-COM-A001	POWER CORD, CN (1PC/BOX)	
	SP-COM-B001	POWER CORD, BR (1PC/BOX)	
	SP-COM-C001	POWER CORD, KR (1PC/BOX)	
	SP-COM-H001	POWER CORD, TW (1PC/BOX)	
	SP-COM-M001	POWER CORD, MAL_UK (1PC/BOX)	
2	SP-COM-0002	USB CABLE (1PC/BOX)	
3	RFID-PEX-2240L-0001	RFID ASSY, 4-INCH, LH (1PC/BOX)	3%
	RFID-PEX-2240R-0001	RFID ASSY, 4-INCH, RH (1PC/BOX)	3%
4	RS-PEX-2000-0001	RIBBON SAVER ASSY, LH (1SET/BOX)	3%
	RS-PEX-2000-0002	RIBBON SAVER ASSY, RH (1SET/BOX)	3%
4-1	SP-PEX-2000-0076	RIBBON SAVER MAIN MODULE, LH (1SET/BOX)	
	SP-PEX-2000-0077	RIBBON SAVER MAIN MODULE, RH (1SET/BOX)	
4-2	SP-PEX-2000-0078	DC FAN (1SET/BOX)	





NO.	PART NO.	DESCRIPTION	SUGGEST ATTACH RATE
5	WF-PEX-1001-2001	INTERNAL Wi-Fi & BT COMBO MODULE KIT-EU (1SET/BOX)	3%
	WF-PEX-1001-A001	INTERNAL Wi-Fi & BT COMBO MODULE KIT-CN (1SET/BOX)	3%
	WF-PEX-1001-1001	INTERNAL Wi-Fi & BT COMBO MODULE KIT-US (1SET/BOX)	3%
	WF-PEX-1001-4001	INTERNAL Wi-Fi & BT COMBO MODULE KIT-AU (1SET/BOX)	3%
	WF-PEX-1001-5001	INTERNAL Wi-Fi & BT COMBO MODULE KIT-JP (1SET/BOX)	3%
6	SP-PEX-1001-0014	WI-FI ANTENNA (1PC/BOX)	3%
N/S	OP-PEX-1001-0001	GPIO BOARD, DB25 (1PC/BOX)	3%
N/S	SP-COM-0001	CLEANING PEN (12PCS/BOX) (12PCS/BOX)	3%
N/S	SP-PEX-2000-0044	FIELD KIT, HARDWARE, PEX-2000 (1SET/30 pcs each item)	3%
N/S	SP-PEX-2000-0066	PACKING CARTON_PEX-2000 -4INCH (1PC/BOX)	3%
N/S	SP-PEX-2000-0067	FRONT CUSHION PACKING, LH -4INCH (1PC/BAG)	3%
N/S	SP-PEX-2000-0068	FRONT CUSHION PACKING, RH -4INCH (1PC/BAG)	3%
N/S	SP-PEX-2000-0048	REAR CUSHION PACKING (1PC/BAG)	3%
N/S	SP-PEX-2000-0069	RIBBON SPINDLE CUSHION PACKING,LH - 4INCH (2PC/BOX)	3%
N/S	SP-PEX-2000-0070	RIBBON SPINDLE CUSHION PACKING,RH - 4INCH (2PC/BOX)	3%
N/S	SP-PEX-2000-0051	TPH CUSHION PACKING (4PC/BOX)	3%
N/S	SP-PEX-2000-0052	PACKING POLYBAG (1PC/BAG)	3%
N/S	BT-COM-0002	INTERNAL BLUETOOTH (1SET/BOX)	3%

**N/S: Not shown in the image.**

## Revision History

<b>Date</b>	<b>Content</b>	<b>Editor</b>
2023/4/19	Add MFi BT	Camille
2023/4/24	Update power supply unit Add non-woven fabric	Camille
2023/5/2	Add ribbon saver module	Camille
2023/8/14	Add internal BT (non-MFi) P/N	Camille

**TSC** **PRINTRONIX**<sup>®</sup>  
**AUTO ID**